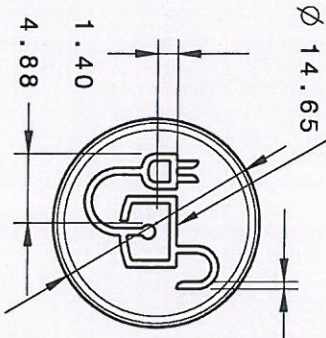
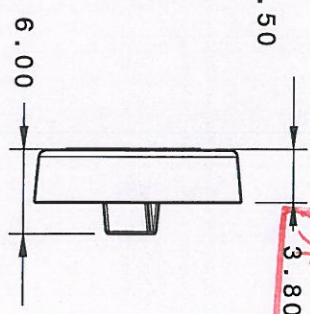


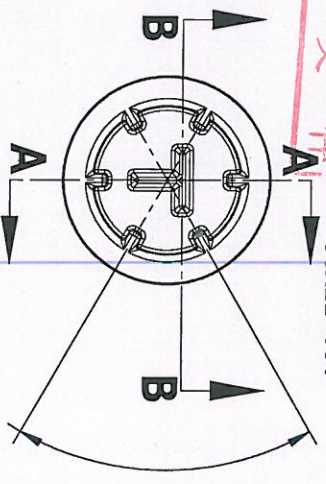
PAD-PRINTED
ICON



FRONT VIEW



SIDE VIEW



ISO VIEW
SCALE 1:1

(60°)

NOTES:

1. CLASS A SURFACES SHALL BE FREE OF SCUFFS, BURRS, SINKS, BLUSH, OR OTHER BLEMISHES.
2. CLASS A-SURFACE FINISH: TEXTURE TO BE ACCORDING TO FORD STIPPLE CODE 02.
3. PAINT/INK COLORS:
 - BODY: BLACK (JA6), GLOSS J
 - GRAPHICAL ICON: WHITE (ZTCA)

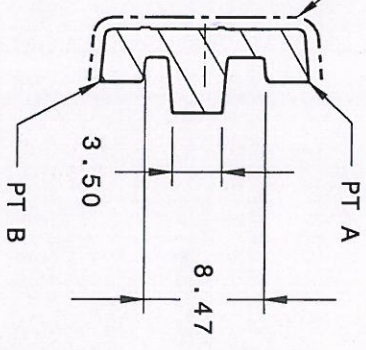
科锐塑胶工业(中山)有限公司
生效日期: 2020.05.22
外来文件



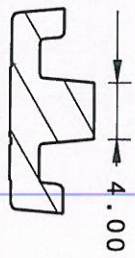
ZONE	REV	DESCRIPTION	DATE	APP
A	1	ECR 6711 INITIAL RELEASE FOR PRODUCTION	07/21/19	C. CASANOVA
B1	1	ECR 6716 TEXTURE AND COLOR CHANGES	09/24/19	C. CASANOVA
B2	1	GLOSS CHANGE (WAS G)	01/02/20	C. CASANOVA
B3	1	MOVED GLOSS CALLOUT TO NOTE 3	05/14/20	C. CASANOVA

科锐塑胶工业(中山)有限公司
生效日期: 2020-05-22
受控文件

CLASS A SURFACE DEFINED AS THE AREA BETWEEN POINT A & POINT B, AS SHOWN BY DOTTED LINE



SECTION CUT A-A



SECTION CUT B-B

Kore Industries Zhongshan Co., Ltd.

New Tooling新模 Transfer Tooling转模

Modification改模 Reference参考

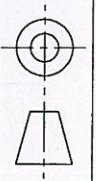
Remarks备注: CK727

Sign & Date签名&日期: 22 May 2020

Resp. Dept. 发放部门: 工程, QC, 设计



CAD MODEL IS MASTER
REFER TO CAD MODEL DATA
FOR DIMENSIONS NOT SHOWN



ELECTRONICALLY CONTROLLED DOCUMENT. PLEASE VERIFY REVISION LEVEL BEFORE USE.

ITEM	QTY	PART NAME	DESCRIPTION	DRAWING NO.	NOTE
3	AR	PRO-PRINTED ICON	FORD COLOR WHITE (ZTCA)	N/A	MUST MEET REQUIREMENT US-8P198-A1
2	AR	BODY PAINT	FORD COLOR ORIGIN BLACK (JA6)	N/A	MUST MEET PERFORMANCE REQUIREMENT ESH-093, ESO-A
1	1	BUTTON CAP	PC - LEXAN 121R	REFER TO DATASHEET	REFER TO NOTES

PARTS LIST

GENERAL SYMBOLS:
 ▲ MANUFACTURING CRITICAL
 ▲ CUSTOMER CRITICAL

rebo
LIGHTING & ELECTRONICS, LLC

APP	DATE	DESCRIPTION	PRODUCT	DRAWING NO.	REV
DAN B. TURCHIN	07/21/19	MANUFACTURING CRITICAL	PURCHASED MATERIAL		
CHK C. CASANOVA	07/21/19	MANUFACTURING CRITICAL	FORD CX727 CSI LAMP		
APP L. KROCHMAL	07/21/19	MANUFACTURING CRITICAL	BUTTON CAP		

