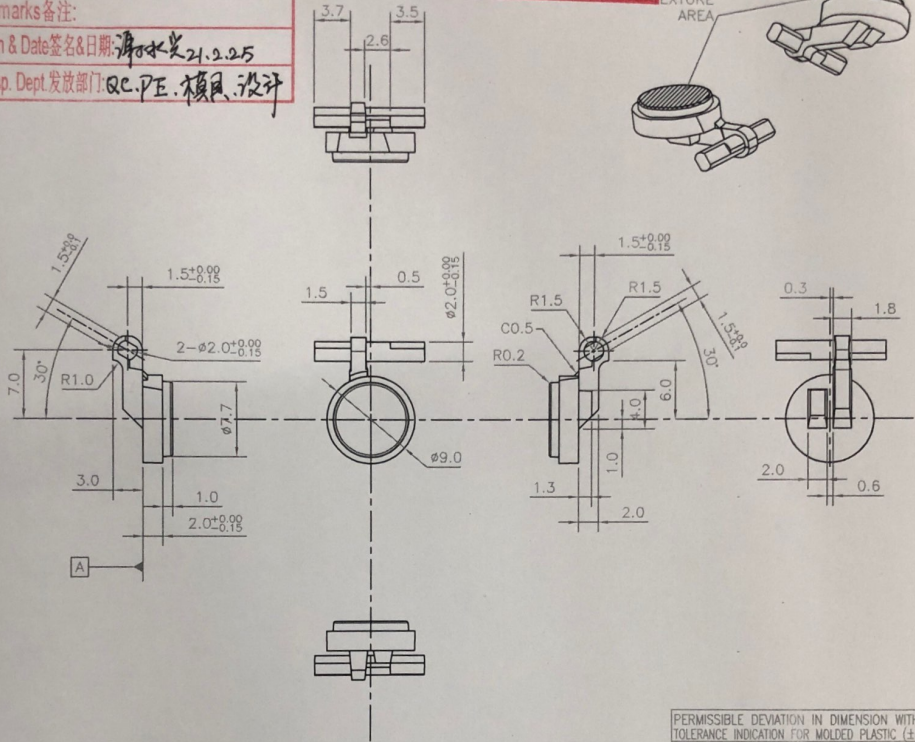
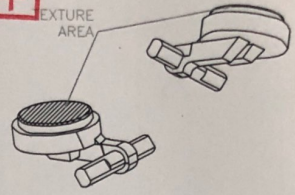


Core Industries Zhongshan Co., Ltd.
 New Tooling 新模 Transfer Tooling 转模
 Modification 改模 Reference 参考

科锐塑胶工业(中山)有限公司
 生效 2021-02-25 日期
受控文件

Remarks 备注:
 Sign & Date 签名 & 日期: 潘永光 21.2.25
 Resp. Dept. 发放部门: QC.PE. 模具设计



PERMISSIBLE DEVIATION IN DIMENSION WITHOUT TOLERANCE INDICATION FOR MOLDED PLASTIC (\pm mm)			
RANGE	CLASS A	CLASS B	CLASS C
$L \leq 6$	0.08	0.16	0.3
$6 < L \leq 30$	0.1	0.2	0.4
$30 < L \leq 120$	0.2	0.4	0.8
$120 < L \leq 300$	0.4	0.8	2.0
$300 < L \leq 600$	0.8	2.0	4.0
$600 < L \leq 1200$	2.0	4.0	8.0

③			
②			
①			
DATE	ALTERATIONS	SIGN	

NOTE:
 ROHS COMPLIANCE
 COLOR: Bk005 INDIGO BLACK
 TEXTURE: N.TONE-7G
 DRAFT ANGLES REFER TO 3D

GENERAL FRANCE	SIZE	MATERIAL ABS(V0)	FINISHING ~ ()	DEPT R&D	DIGI SINGAPORE					
	HOLE POSITION	MATERIAL SIZE t = 3.0	HEAT TREATMENT	SCALE 2/1	UNIT mm	APPROVED	VERIFIED	CHECKED	DESIGNED	DRAWN
	HOLE SIZE	SURFACE TREATMENT	HARDNESS	DATE 07_07_2017		HUIKOON	DERRICK	RW	RW	
PARTS NAME	COVER AQ (CUTTER HOLE)			PART CODE	4 40174 028 017 00					
		MODEL	SM-6000	P.SIZE	A4	FILE TYPE	Master			